

Description

Designed to control opening & closing of the cartridge valve.

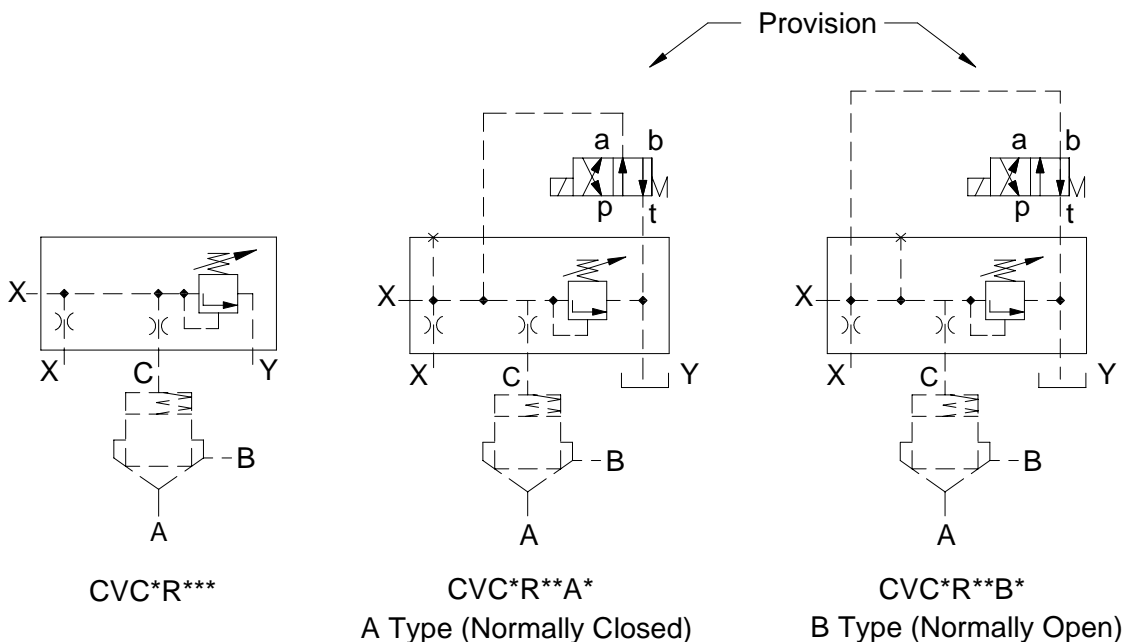
Provision for remote control.

Normally used for relief function.

Provision for solenoid relieving function. (Normally open or normally closed)



Hydraulic Symbol





RELIEF COVER CVC*R

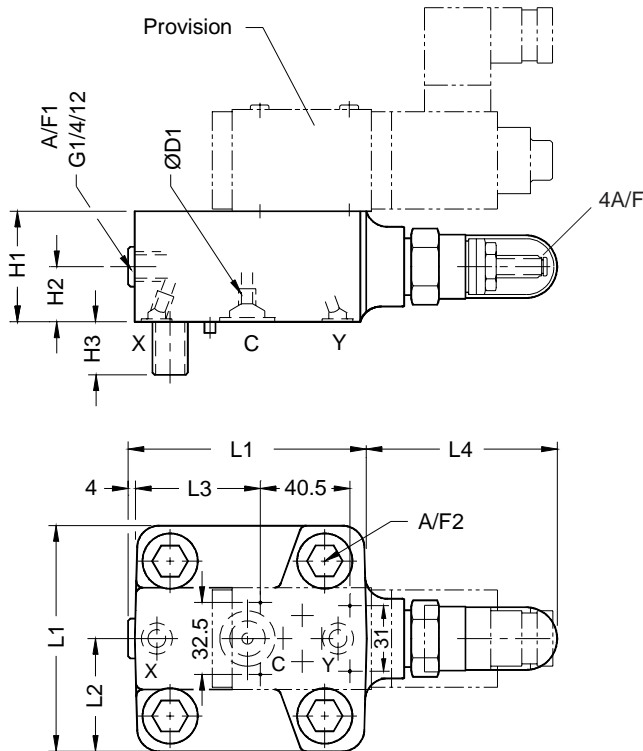
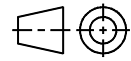
ENGINEERING

2

Ref. No. P03418

Unit dimension

Dimensions in mm.



Size	16	25	32	40
L1	65	85	102	125
L2	32.5	42.5	51	62.5
L3	26.7	40	56.7	61
L4	85	81.5	83.5	66.5
H1	55	63	63	60
H2	25	28	25	35
H3	12	18	24	30
Ø D1	M6 (1)	M6 (1)	M6(1.2)	M8(1.2)
A/F1	6	6	6	6
A/F2	6	10	14	17

Size	Cover fixing S.H.C. screw (10.9)	Tightening torque da Nm.
16	M8, 40 long.	3.2
25	M12, 45 long.	11
32	M16, 55 long.	27
40	M20, 70 long.	52

Note :

Mounting interface as per ISO 7368.

Ordering code

CVC 16 R S 100 A 15

Cartridge valve cover

Size 16, 25, 32 & 40.

With relief cartridge

Set screw S

Hand Knob H

Pressure rating bar
25, 50, 100, 200, 315 and 400.

Design code subject to change. Installation dimensions remain same. for design code 10 thru 19.

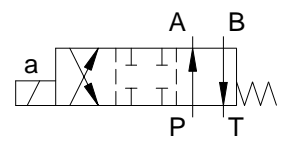
A Soln. normally closed.

B Soln. normally opened.

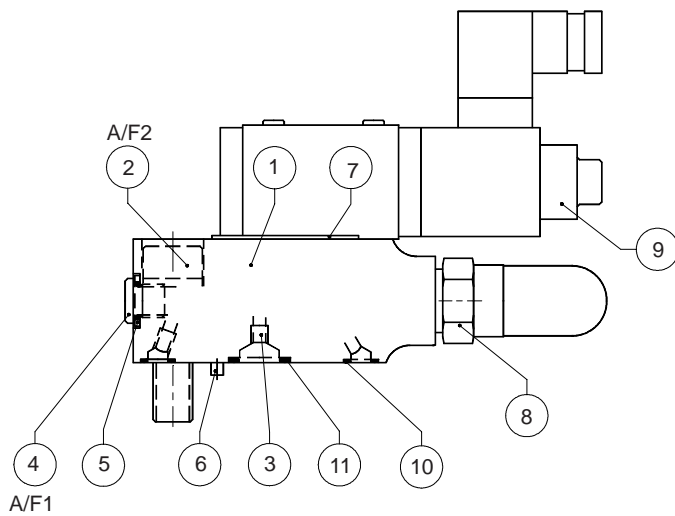
Omit, if not required.

Note : Solenoid (refer spool type) to be ordered separately.

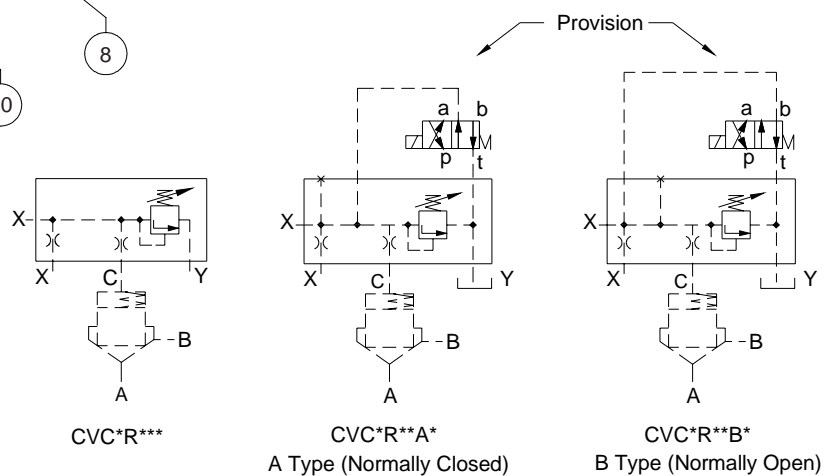
Spool type



Part Details



Hydraulic Symbol



Sl.no.	Description	Qty	Size 16	Size 25	Size 32	Size 40
1	Cover	1	--	--	--	--
2	S.H.C.Screw (12.9)	4	M8x1.25	M12x1.75	M16x2	M20x2.5
3	Provision for orifice	2	M6x10 deep	M6x10 deep	M6x10 deep	M8x10 deep
4	Socket head plug	1	G 1/4	G 1/4	G 1/4	G 1/4
*	Bonded seal	1	G 1/4	G 1/4	G 1/4	G 1/4
6	Dowell pin	1	--	--	--	--
7	Name plate	1	--	--	--	--
8	Relief cartridge	1	DPRS06K*	DPRS06K*	DPRS06K*	DPRS06K*
9	Soln. D.C.Valve	1	--	--	--	--
*	O' ring	2	7.5 x 1.8	9.25 x 1.8	10.6 x 1.8	12.5 x 1.8
*	O' ring	1	12.5 x 1.8	15.55 x 2.62	20 x 2.65	23 x 2.65
Tools required						
A/F1	Wrench key	--	6	6	6	6
A/F2	Wrench key	--	6	10	14	17

Note :

* Recommended seal kit.

While ordering the individual spares / seal kit, give part no.& complete details of model code as on the label.



RELIEF COVER
CVC*R

SERVICE

4

Ref. No. P03418

All rights reserved.
Subject to revision.