



RELIEF CUM UNLOADING COVER CVC*U

ENGINEERING

1

Ref. No. P03419

Release 08/2002

Description

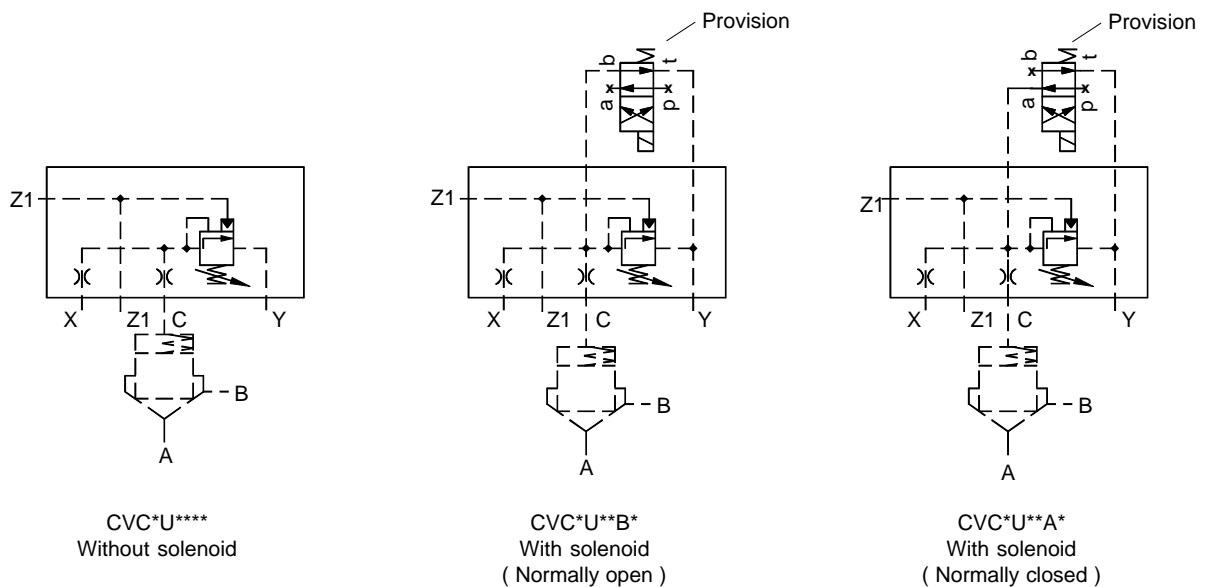
Designed to control opening & closing of the cartridge valve.

Normally used for unloading function.

Provision for solenoid unloading. (Normally open or normally closed)



Hydraulic Symbol



Polyhydron Pvt. Ltd.
78-80, Machhe Industrial Estate,
Machhe, Belgaum - 590 014. INDIA.

Phone : +91-(0)831-411001
Fax : +91-(0)831-411002
E-mail : polyhydron@vsnl.com
Website : www.polyhydron.com

P03419



RELIEF CUM UNLOADING COVER CVC*U

ENGINEERING

2

Ref. No. P03419

Unit dimension

Dimensions in mm.

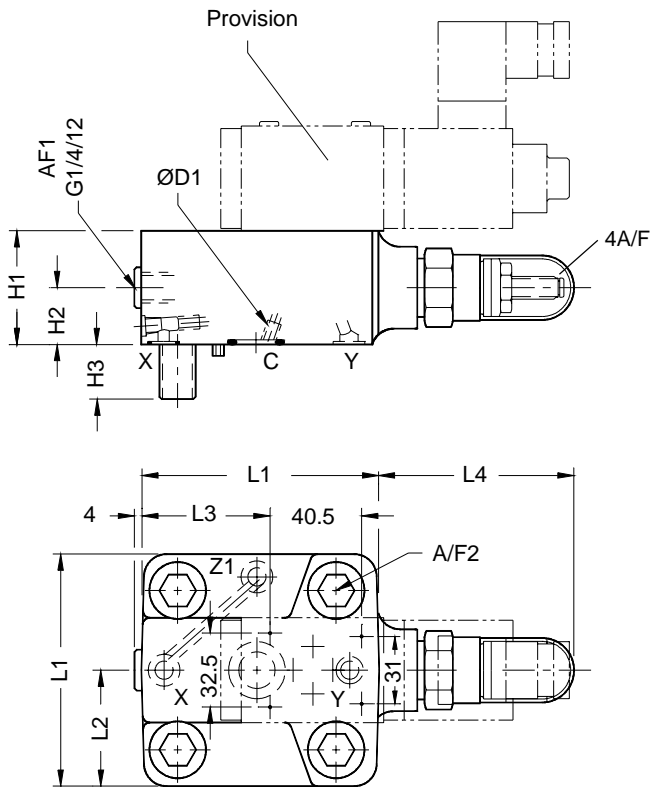
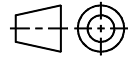


Table 1

| Size | 16 | 25 | 32 | 40 |
|------|----------|----------|----------|-----|
| L1 | 65 | 85 | 102 | 125 |
| L2 | 32.5 | 42.5 | 51 | -- |
| L3 | 27 | 40 | 53.7 | -- |
| L4 | 85 | 81.5 | 83.5 | -- |
| H1 | 51 | 52 | 50 | 60 |
| H2 | 30 | 30 | 25 | -- |
| H3 | 12 | 18 | 24 | 30 |
| ØD1 | M6 (0.8) | M6 (0.8) | M6 (1.0) | -- |
| A/F1 | 6 | 6 | 6 | 6 |
| A/F2 | 6 | 10 | 14 | 17 |

| Size | Cover fixing S.H.C. screw (10.9) | Tightening torque |
|------|----------------------------------|-------------------|
| 16 | M8, 40 long. | 3.2 da Nm. |
| 25 | M12, 45 long. | 11 da Nm. |
| 32 | M16, 55 long. | 27 da Nm. |
| 40 | M20, 70 long. | 52 da Nm. |

Note :

Mounting interface as per ISO 7368.

Ordering code

CVC 16 U S 100 A 15

Cartridge valve cover

Size 16, 25, 32 & 40.

Relief cum unloading cartridge

Set screw S

Hand Knob H

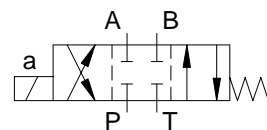
Pressure rating bar
25, 50, 100, 200, 315 and 400.

Design code subject to change. Installation dimensions remain same. for design code 10 thru 19.

| | |
|------------------------|---|
| A | Solenoid unloading valve normally closed. |
| B | Solenoid unloading valve normally opened. |
| Omit, if not required. | |

Note : Solenoid (refer spool type) to be ordered separately.

Spool type





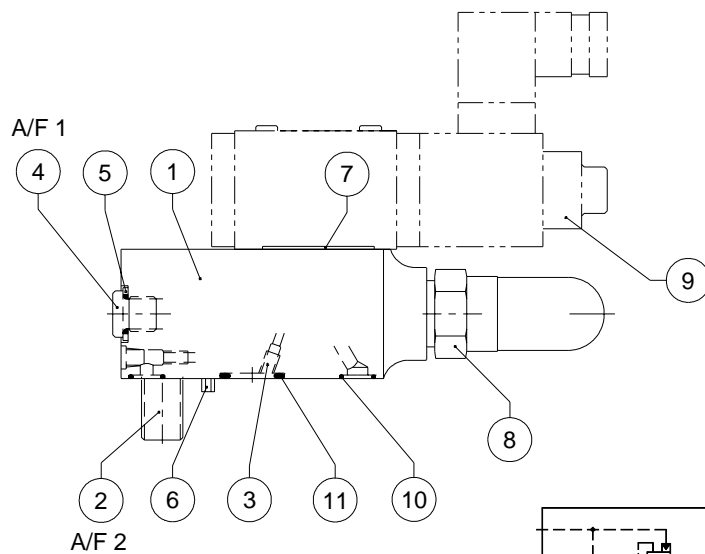
**RELIEF CUM
UNLOADING COVER
CVC*U**

SERVICE

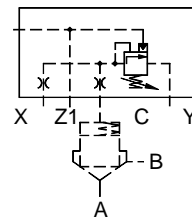
3

Ref. No. P03419

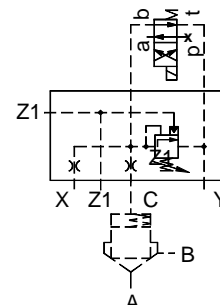
Part Details



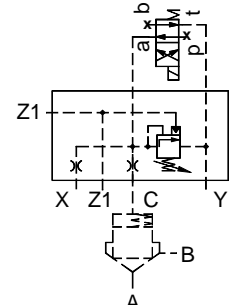
Hydraulic Symbol



CVC*U****
Without solenoid



CVC*U**B*
With solenoid
(Normally open)



CVC*U**A*
With solenoid
(Normally closed)

| Sl.no. | Description | Qty | Size 16 | Size 25 | Size 32 | Size 40 | |
|-----------------------|-----------------------|------------------------------|------------|------------|--------------|------------|------------|
| 1 | Cover | 1 | -- | -- | -- | -- | |
| 2 | S.H.C.Screw (12.9) | 4 | M8x1.25 | M12x1.75 | M16x2 | M20x2.5 | |
| 3 | Provision for orifice | 2 | M6x10 deep | M6x10 deep | M6x10 deep | M8x10 deep | |
| 4 | Socket head plug | 1 | G 1/4 | G 1/4 | G 1/4 | G 1/4 | |
| * | 5 | Bonded seal | 1 | G 1/4 | G 1/4 | G 1/4 | G 1/4 |
| | 6 | Dowel pin | 1 | -- | -- | -- | -- |
| | 7 | Name plate | 1 | -- | -- | -- | -- |
| | 8 | Relief / unloading cartridge | 1 | DPRUS06K* | DPRUS06K* | DPRUS06K* | DPRUS06K* |
| | 9 | Soln. D.C.Valve | 1 | -- | -- | -- | -- |
| * | 10 | O' ring | 3 | 7.5 x 1.8 | 9.25 x 1.8 | 10.6 x 1.8 | 12.5 x 1.8 |
| * | 11 | O' ring | 1 | 12.5 x 1.8 | 15.55 x 2.62 | 20 x 2.65 | 23 x 2.65 |
| Tools required | | | | | | | |
| A/F1 | Wrench key | -- | 6 | 6 | 6 | 6 | |
| A/F2 | Wrench key | -- | 6 | 10 | 14 | 17 | |

Note :

* Recommended seal kit.

While ordering the individual spares / seal kit, give part no.& complete details of model code as on the label.



RELIEF CUM
UNLOADING COVER
CVC*U

SERVICE

4

Ref. No. P03419

All rights reserved.
Subject to revision.